



INDUSTRIES LIMITED

Specification:

AXIOM Industries Hydronic Mini System Feeder: MF300

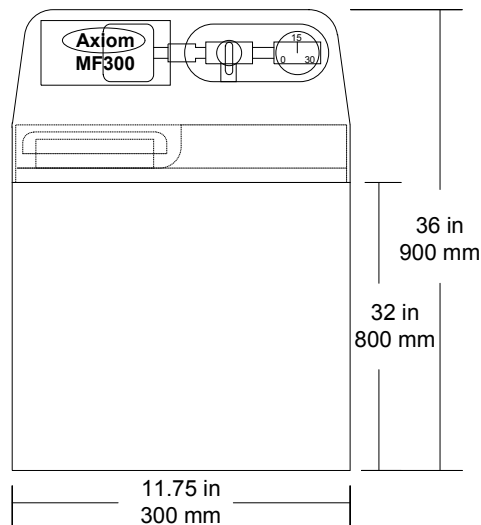
Hydronic system feeder shall be AXIOM INDUSTRIES LTD. Model MF300. System shall include 65 litre (17 U.S. gallon) storage/mixing tank with molded-in level gauge, 125 mm (5") fill/access opening and cover; pump suction hose with inlet strainer and check valve; pressure pump with fuse protection; low fluid level pump cut-out float switch; manual diverter valve for purging air and agitating contents of storage tank; pressure switch with snubber, each individually adjustable from 70 kPa (10 psig) to 170 kPa (25 psig) cut-out pressure; factory cut-out pressure set to 115 kPa (17psig); and liquid filled pressure gauge. Unit to be c/w UL listed and fused power supply adapter with LED power indicator light, 115/60/1 to 24 VDC 50 watts AC, supplied loose for field installation.

Feeder shall be compatible with glycol solutions of up to 50% concentration. Pump shall be capable of running dry without damage. Unit shall be completely assembled.

OPTION

MF200-1430 – Tank Mounting Shelf

RIA10-1-SAA – Low level Alarm Panel c/w Remote Monitoring Dry Contacts and Selectable Audible Alarm



Depth - 11.75 in 300 mm
Clearances – Right Side - 12 in 305 mm
Weight When Full 157 lbs/72 kg.
Discharge 1/2" FPT