


Count	Description																								
1	<p data-bbox="225 338 411 367"><b>ALPHA1 26-99F</b></p>  <p data-bbox="619 790 1070 815" style="text-align: center;">Product photo could vary from the actual product</p> <p data-bbox="225 822 491 846">Product No.: <a href="#">99490914</a></p> <p data-bbox="225 882 1453 934">The Grundfos ALPHA1 26-99 F is a medium sized, cast iron, energy efficiency circulator fitted with a permanent magnet motor (ECM)</p> <p data-bbox="225 938 1442 990">and frequency converter for heating applications. The pump is externally controlled via a low-voltage 0-10 VDC signal by a system controller</p> <p data-bbox="225 994 906 1025">integrated in a boiler or a building management system (BMS)</p> <p data-bbox="225 1028 1410 1079">A magnetite resistant design, robust ceramic shaft and stainless-steel bearing plate ensure that the ALPHA1 26-99 F reliably delivers</p> <p data-bbox="225 1084 963 1115">the optimal system flow at the lowest possible energy consumption.</p> <p data-bbox="225 1144 520 1171"><b>Key Features and Benefits</b></p> <ul data-bbox="225 1173 1225 1469" style="list-style-type: none"> <li>• Externally controlled via a 0-10 VDC signal</li> <li>• The pump will run at its maximum speed if no signal is present or it fails (e.g. cable break)</li> <li>• Check valve included</li> <li>• Magnetite resistant design protects the pump from harmful iron oxide found in heating systems</li> <li>• Designed with trusted ECM technology which has been used by Grundfos for more than 16 years</li> <li>• Signal cable entry for 0-10 VDC signal</li> <li>• Alarm output signal</li> <li>• Designed using 65+ years of hydronic heating experience</li> </ul> <p data-bbox="225 1529 312 1556"><b>Liquid:</b></p> <table data-bbox="225 1559 719 1680"> <tr> <td>Pumped liquid:</td> <td>Water</td> </tr> <tr> <td>Liquid temperature range:</td> <td>14 .. 203 °F</td> </tr> <tr> <td>Selected liquid temperature:</td> <td>140 °F</td> </tr> <tr> <td>Density:</td> <td>61.35 lb/ft³</td> </tr> </table> <p data-bbox="225 1709 352 1736"><b>Technical:</b></p> <table data-bbox="225 1738 632 1798"> <tr> <td>TF class:</td> <td>110</td> </tr> <tr> <td>Approvals on nameplate:</td> <td>UL</td> </tr> </table> <p data-bbox="225 1827 344 1854"><b>Materials:</b></p> <table data-bbox="225 1856 831 1946"> <tr> <td>Pump housing:</td> <td>Cast iron</td> </tr> <tr> <td></td> <td>EN 1561 EN-GJL-150</td> </tr> <tr> <td>Impeller:</td> <td>Composite</td> </tr> </table> <p data-bbox="225 1975 368 2002"><b>Installation:</b></p> <table data-bbox="225 2004 719 2094"> <tr> <td>Range of ambient temperature:</td> <td>32 .. 131 °F</td> </tr> <tr> <td>Maximum operating pressure:</td> <td>145.04 psi</td> </tr> <tr> <td>Type of connection:</td> <td>GF</td> </tr> </table>	Pumped liquid:	Water	Liquid temperature range:	14 .. 203 °F	Selected liquid temperature:	140 °F	Density:	61.35 lb/ft³	TF class:	110	Approvals on nameplate:	UL	Pump housing:	Cast iron		EN 1561 EN-GJL-150	Impeller:	Composite	Range of ambient temperature:	32 .. 131 °F	Maximum operating pressure:	145.04 psi	Type of connection:	GF
Pumped liquid:	Water																								
Liquid temperature range:	14 .. 203 °F																								
Selected liquid temperature:	140 °F																								
Density:	61.35 lb/ft³																								
TF class:	110																								
Approvals on nameplate:	UL																								
Pump housing:	Cast iron																								
	EN 1561 EN-GJL-150																								
Impeller:	Composite																								
Range of ambient temperature:	32 .. 131 °F																								
Maximum operating pressure:	145.04 psi																								
Type of connection:	GF																								



Company name:

Created by:

Phone:

Date:

9/13/2019

Count	Description
	Pipe connection: 1 1/4 Pressure stage: PN 10 Port-to-port length: 6 1/2 in
	<b>Electrical data:</b> Power input - P1: 3 .. 120 W Main frequency: 60 Hz Rated voltage: 1 x 115 V Maximum current consumption: 0.05 .. 1.7 A Enclosure class (IEC 34-5): IP42 Insulation class (IEC 85): F
	<b>Others:</b> Net weight: 8.08 lb Gross weight: 8.86 lb Shipping volume: 0.28 ft <sup>3</sup>



Company name:

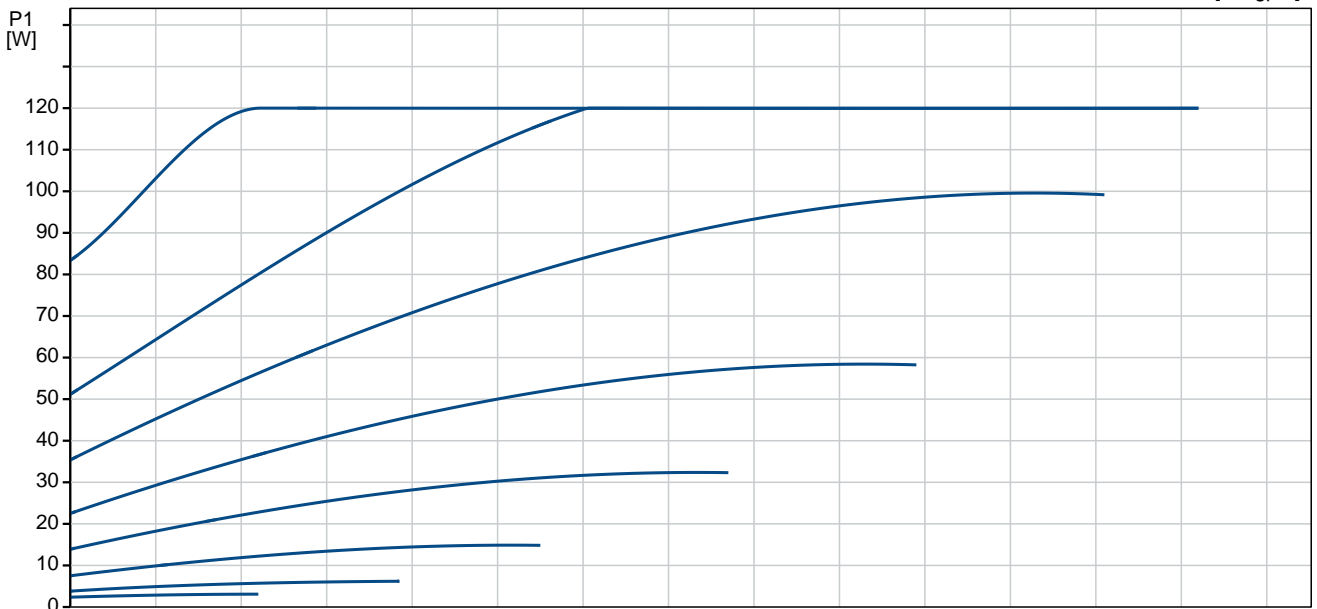
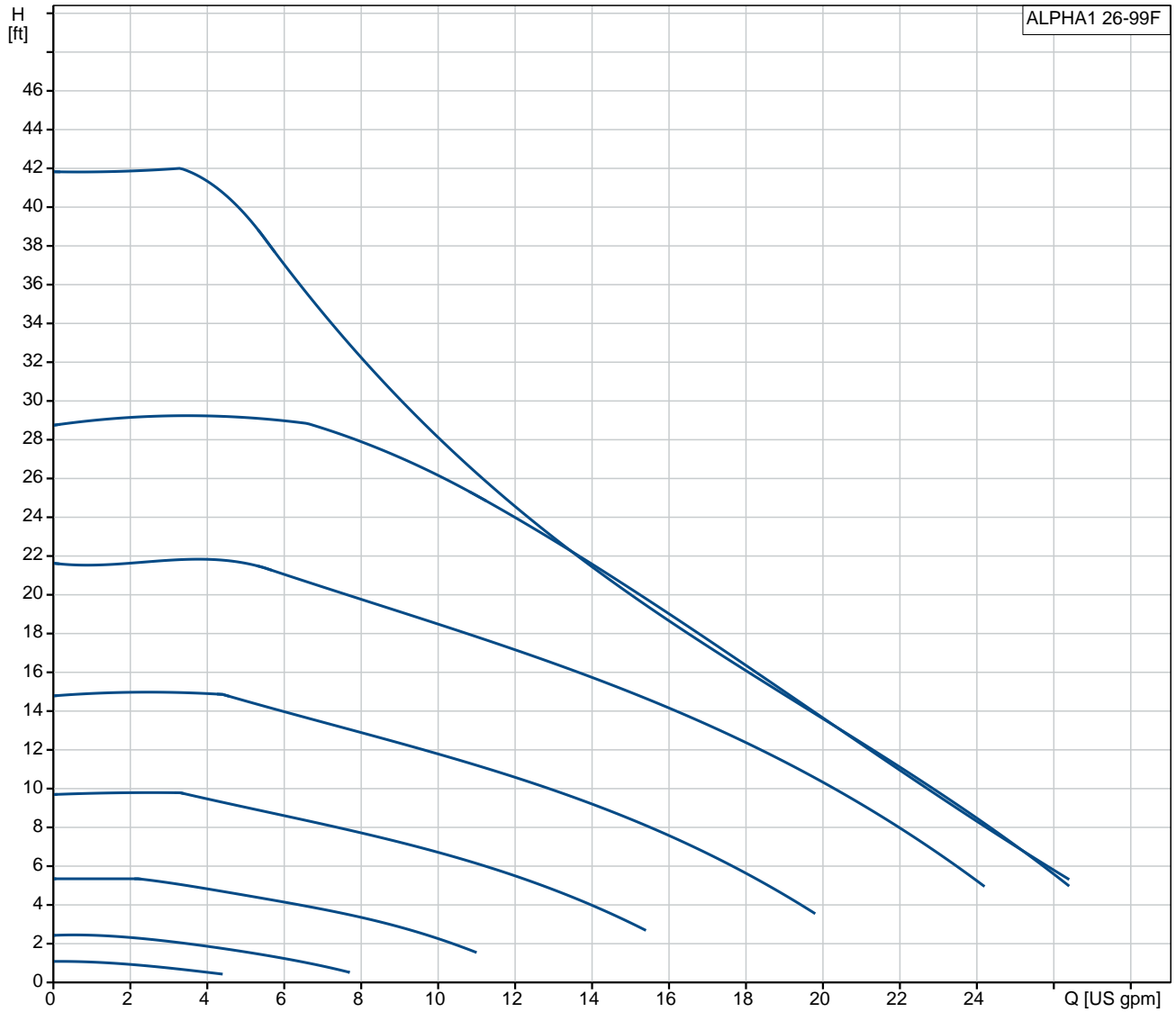
Created by:

Phone:

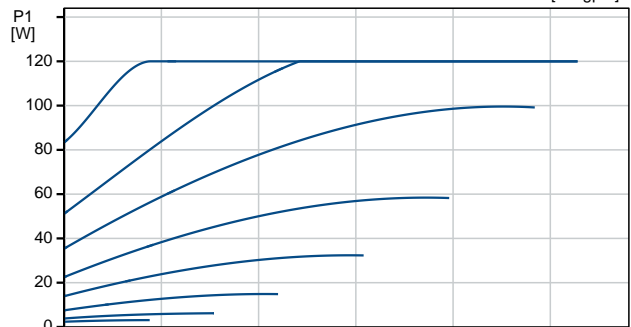
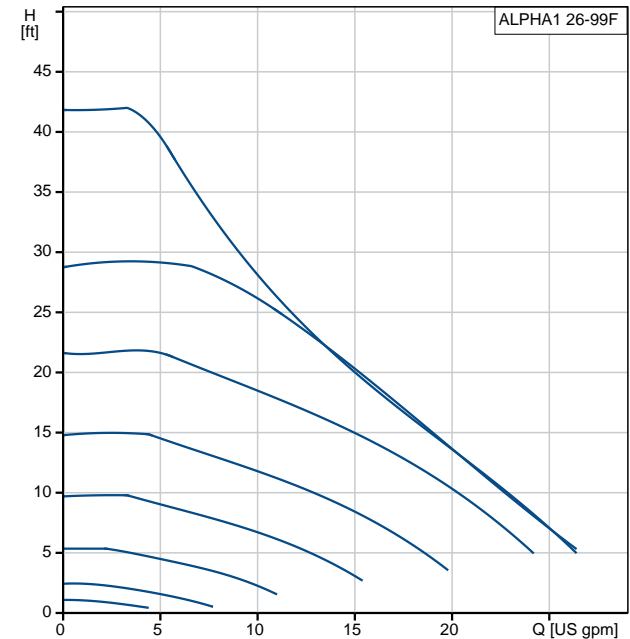
Date:

9/13/2019

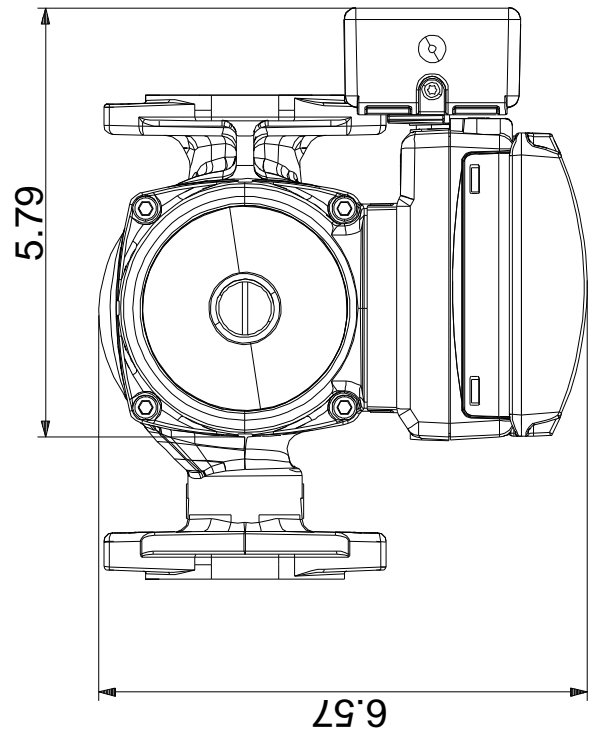
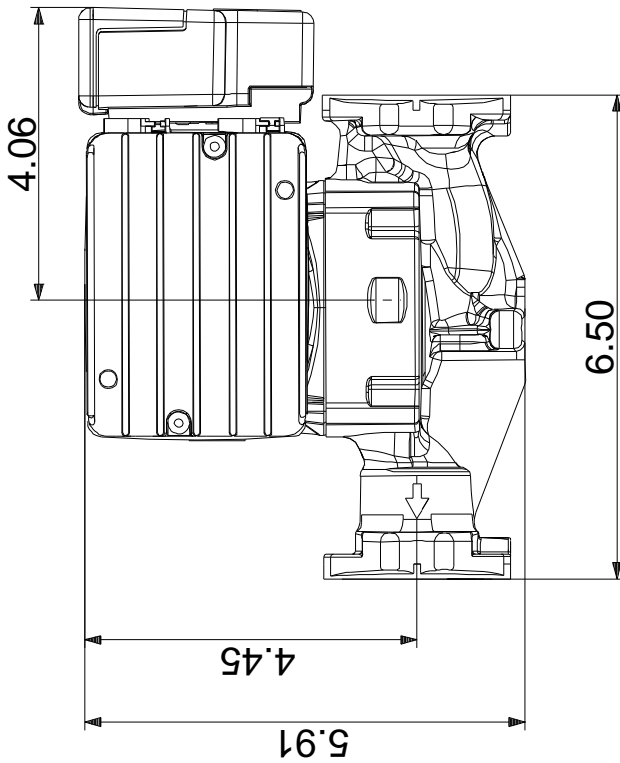
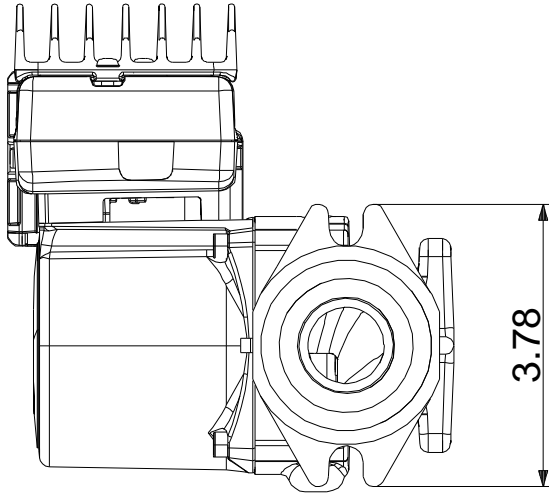
### 99490914 ALPHA1 26-99F 60 Hz



Description	Value
<b>General information:</b>	
Product name:	ALPHA1 26-99F
Product No.:	<a href="#">99490914</a>
EAN:	5713829959064
	5713829959064
<b>Technical:</b>	
Head max:	32.48 ft
TF class:	110
Approvals on nameplate:	UL
<b>Materials:</b>	
Pump housing:	Cast iron
	EN 1561 EN-GJL-150
Impeller:	Composite
<b>Installation:</b>	
Range of ambient temperature:	32 .. 131 °F
Maximum operating pressure:	145.04 psi
Type of connection:	GF
Pipe connection:	1 1/4
Pressure stage:	PN 10
Port-to-port length:	6 1/2 in
<b>Liquid:</b>	
Pumped liquid:	Water
Liquid temperature range:	14 .. 203 °F
Selected liquid temperature:	140 °F
Density:	61.35 lb/ft³
<b>Electrical data:</b>	
Power input - P1:	3 .. 120 W
Main frequency:	60 Hz
Rated voltage:	1 x 115 V
Maximum current consumption:	0.05 .. 1.7 A
Enclosure class (IEC 34-5):	IP42
Insulation class (IEC 85):	F
Motor protection:	NONE
Thermal protec:	ELEC
<b>Controls:</b>	
Pos term box:	6H
<b>Others:</b>	
Net weight:	8.08 lb
Gross weight:	8.86 lb
Shipping volume:	0.28 ft³
Sales region:	USA



## 99490914 ALPHA1 26-99F 60 Hz



Note! All units are in [in] unless otherwise stated.  
Disclaimer: This simplified dimensional drawing does not show all details.