



Waldhornstrasse 12
 D-88662 Überlingen
 Fon: +49 (0) 7551.1234
 Fon: +49 (0) 7551.4444
 Fax: +49 (0) 7551.918888
 www.winkler-technik.com

**Winkler
 Technik**



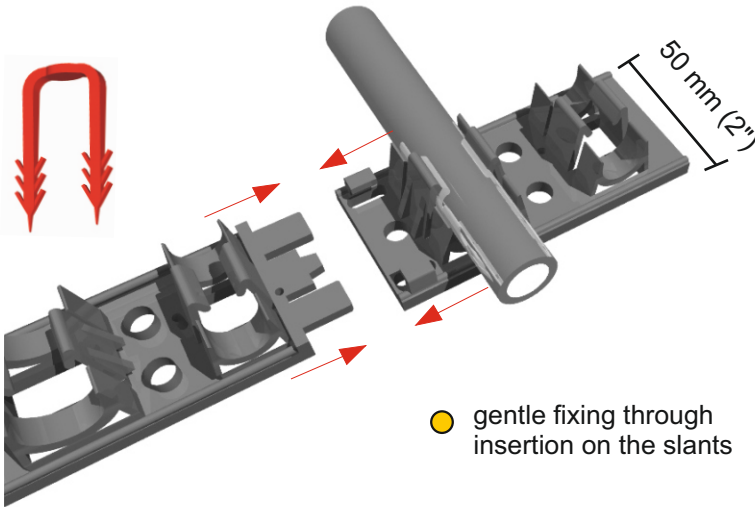
Octa Rail OS1222

The alternative to the U-shaped mounting rail!
 For all tube diameters from 12 - 22 mm (3/8" - 3/4")

- extremely low design: 29 mm (1 1/8")
- holes every 10 cm (4") for additional holding pins
- extension possible as long as needed through easy, soluble snap joints



- also available with integrated barbed hooks (item No. OSW1222)



- gentle fixing through insertion on the slants

Technical Data

item No.	for tubing	length	colour	packing unit	weight
OS1222	12 - 17 mm (3/8" - 1/2") small head	1 m	black	100 m (328 ft)/carton	22 kg (50.6 lbs.)
	16 - 22 mm (1/2" - 3/4") large head	(3 1/4 ft)		1,500 m (4,921 ft)/pallet	341 kg (759 lbs.)
OS1222K (adhesive tape)	12 - 17 mm (3/8" - 1/2") small head	1 m	black	100 m (328 ft)/carton	22 kg (50.6 lbs.)
	16 - 22 mm (1/2" - 3/4") large head	(3 1/4 ft)		1,500 m (4.921 ft)/pallet	346 kg (759 lbs.)
OS1222W (barbed hook)	12 - 17 mm (3/8" - 1/2") small head	1 m	black	100 m (328 ft)/carton	25 kg (50.6 lbs.)
	16 - 22 mm (1/2" - 3/4") large head	(3 1/4 ft)		1,500 m (4.921 ft)/pallet	391 kg (759 lbs.)

Subject to technical changes. KG 12.24/03

Winkler Technik GmbH
 Sitz: Überlingen

Geschäftsführer/-in:
 Alexander Winkler
 Veronika Winkler

Handelsregister Freiburg
 HRB 580 264

Ust.IdNr.:
 DE146963071

Octa Rail OS 1222